

## EXPERIMENT!

Vapor production is dependent on several variables: draw speed, flame length and position, carb airflow, material quality, grind, and ambient temperature. Use of different accessories may also affect vapor production.

Try changing one thing at a time to help find your preferred method of use.

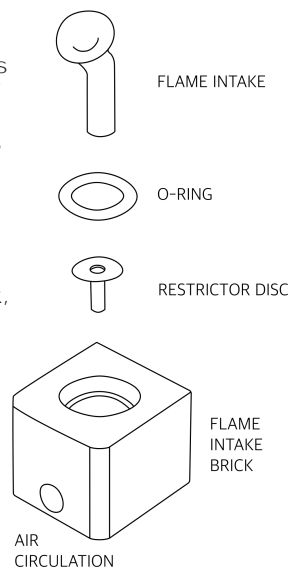
## MAINTENANCE

- Gently clean wood components with a cotton swab and warm water, then dry thoroughly. Do not clean wood parts with ISO alcohol and only condition the wood with Sticky Brick Butter (available for purchase at [stickybricklabs.com](http://stickybricklabs.com)).
- Glass components and screens should be removed from the Brick and cleaned with ISO alcohol as needed.
- When reassembling your Brick, insert o-rings into the wood before the glass for best seal.

Our new 316 stainless steel Restrictor Disc protects the wood from direct flame and enables the use of longer/bigger flames with very little learned technique. Our goal was to find something that fits in all units and greatly reduces the chance of combustion, while also remaining removable for experienced users who want more control.

1. Remove flame intake and o-ring.
2. Place restrictor disc into the flame intake brick, flat side up/cylinder down towards the bowl/screen\*
3. Insert o-ring followed by the flame intake.
4. Note: you may need to increase flame size.

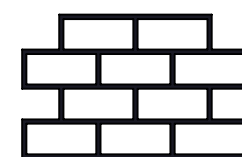
\*Some older units will have a smaller hole in which case the restrictor disc can be turned over, with the cylinder pointing upwards into the flame intake.



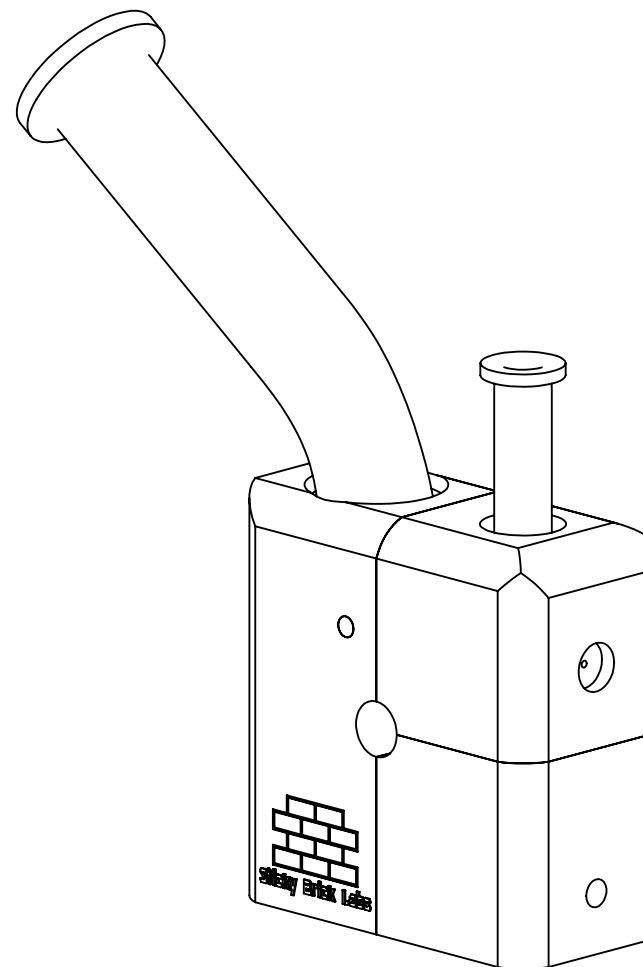
## WARRANTY & CONTACT

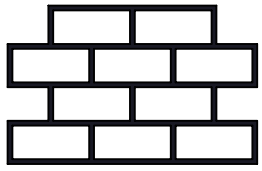
We offer a lifetime warranty on wood bodies, a 15-day warranty on glass, and will always offer replacement parts.

email: [productsupport@stickybricklabs.com](mailto:productsupport@stickybricklabs.com)  
phone: 828.399.0299

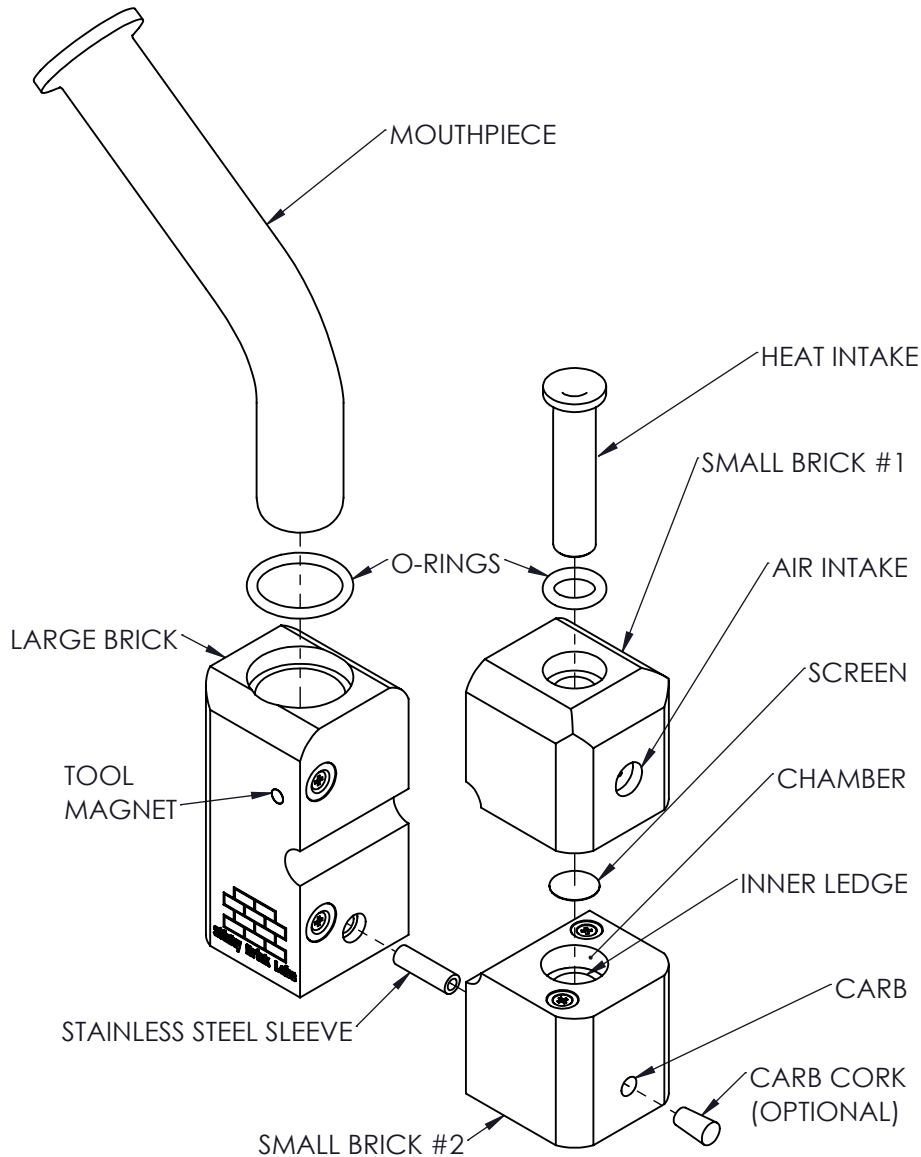


# STICKY BRICK OG BRICK USER GUIDE





# STICKY BRICK OG BRICK



## PREPARE

- Insert mouthpiece and heat intake into their appropriate bricks. Place o-rings into wood before glass for best seal.
- Adjust torch so overall flame length is ~1"

## LOAD

Hold the large brick in one hand and twist the two smaller bricks to break the magnetic connection (A). Slide the small bricks away from the stainless steel sleeve and twist them apart to expose chamber (B). Load ground material loosely into chamber, no higher than the inner ledge, so it evenly covers the screen. Reassemble the Bricks.

## OPERATE

- Aim torch flame down heat intake, and position flame so the light blue outer flame is flush with, or just inside, the intake (C).
- Cover carb and draw slowly until you see/taste/feel vapor. Increase draw speed.
- As you finish the draw, remove torch and open carb.
- Stir material between draws as needed.
- Do not cover air intake on the side of the unit as it provides needed, continuous airflow. Glass retains heat, so do not touch heat intake immediately after use.

## OPTIONS

- The included carb cork (D) can be used to block the carb to free up a hand and produce thicker vapor.
- The Hydro Add-On (E) is available for purchase at [stickybricklabs.com](http://stickybricklabs.com) and lets you add an 18.8mm connection to your OG Brick.

