

EXPERIMENT

- Vapor production is dependent on several variables: Draw speed, flame length and position, carb airflow, material quality and grind, and ambient temperature.
- Use of different accessories may also affect vapor production.
- Try changing one thing at a time to help find your preferred method of use.

MAINTAIN

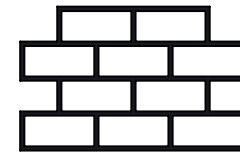
- Gently clean wood components with a cotton swab and warm water, then dry thoroughly. Do not clean wood parts with ISO alcohol and only condition the wood with Sticky Brick Butter (available for purchase at stickybricklabs.com).
- Glass components and screens should be removed from the Brick and cleaned with ISO alcohol as needed.
- When reassembling your Brick, insert o-rings into the wood before the glass for best seal.

WARRANTY

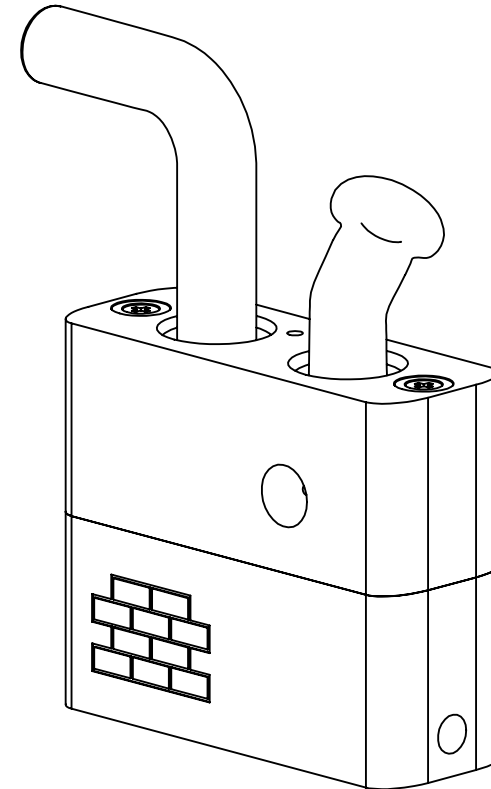
Sticky Brick Labs offers a lifetime warranty on wood bodies, a 15-day warranty on glass, and will always offer replacement parts.

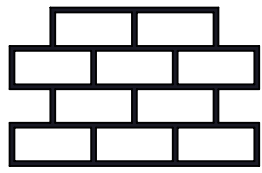
CONTACT

email: productsupport@stickybricklabs.com
phone: 828.399.0299

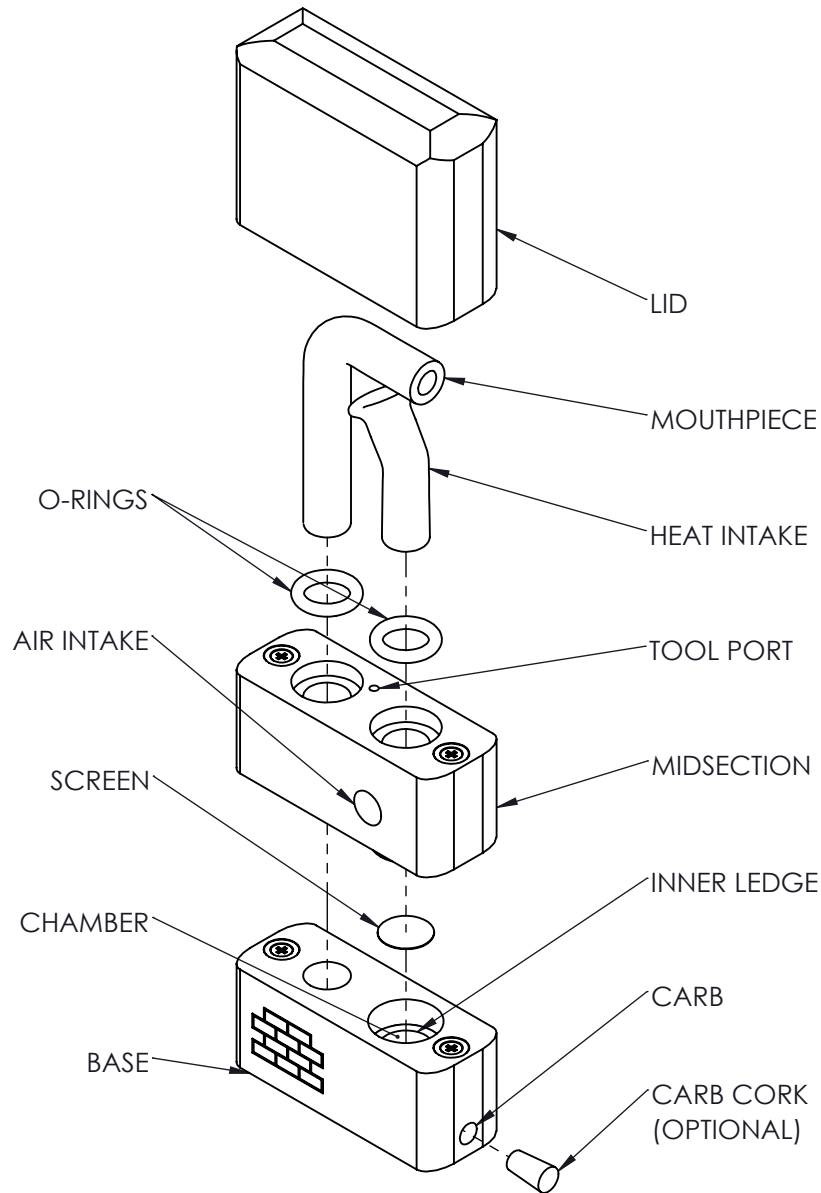


STICKY BRICK JUNIOR USER GUIDE





STICKY BRICK JUNIOR



PREPARE

- Remove lid and set aside. Rotate mouthpiece and heat intake outward (A). For roomier setup, remove mouthpiece and insert opposite end into midsection (B). Heat intake can be angled left or right for comfort.
- Adjust torch so overall flame length is ~1".

LOAD

Separate the midsection from the base to expose chamber. Load ground material loosely into chamber no higher than the inner ledge so it evenly covers the screen. Reassemble the Bricks.

OPERATE

- Aim torch flame down heat intake, and position flame so the light blue outer flame is flush with, or just inside, the intake (C).
- Cover carb and draw slowly until you see/taste/feel vapor. Increase draw speed.
- As you finish the draw, remove torch and open carb.
- Stir material between draws as needed.
- Do not cover air intake on the side of the unit as it provides needed, continuous airflow. Glass retains heat, so do not touch heat intake immediately after use.

OPTIONS

- The included carb cork (D) can be used to block the carb to free up a hand and produce thicker vapor.
- The U-joint WPA (E) is available for purchase at stickybricklabs.com and lets you connect your Sticky Brick Junior directly to your favorite 14.4mm glass.

