

EXPERIMENT

- Vapor production is dependent on several variables: Draw speed, flame length and position, material quality and grind, and ambient temperature.
- Use of different accessories may also affect vapor production.
- Try changing one thing at a time to help find your preferred method of use.

MAINTAIN

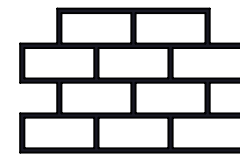
- Gently clean wood components with a cotton swab and warm water, then dry thoroughly. Do not clean wood parts with ISO alcohol and only condition the wood with Sticky Brick Butter (available for purchase at stickybricklabs.com).
- Glass components and screens should be removed from the Brick and cleaned with ISO alcohol as needed.
- When reassembling your Brick, insert o-rings into the wood before the glass for best seal.

WARRANTY

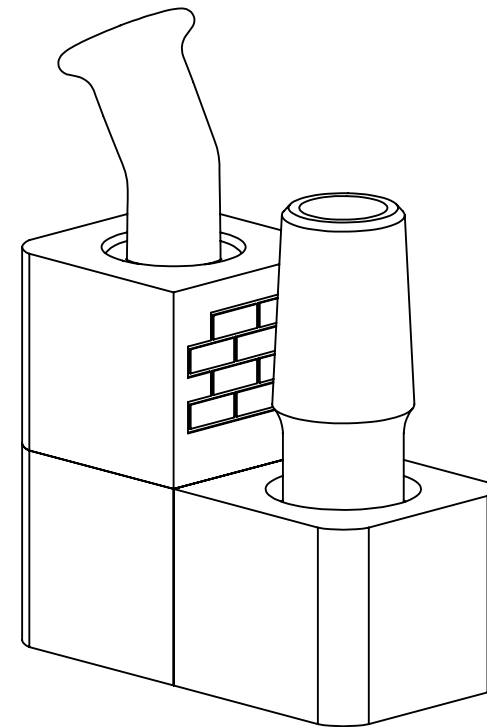
Sticky Brick Labs offers a lifetime warranty on wood bodies, a 15-day warranty on glass, and will always offer replacement parts.

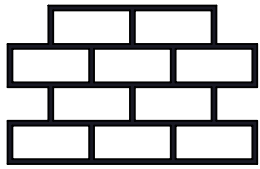
CONTACT

email: productsupport@stickybricklabs.com
phone: 828.399.0299

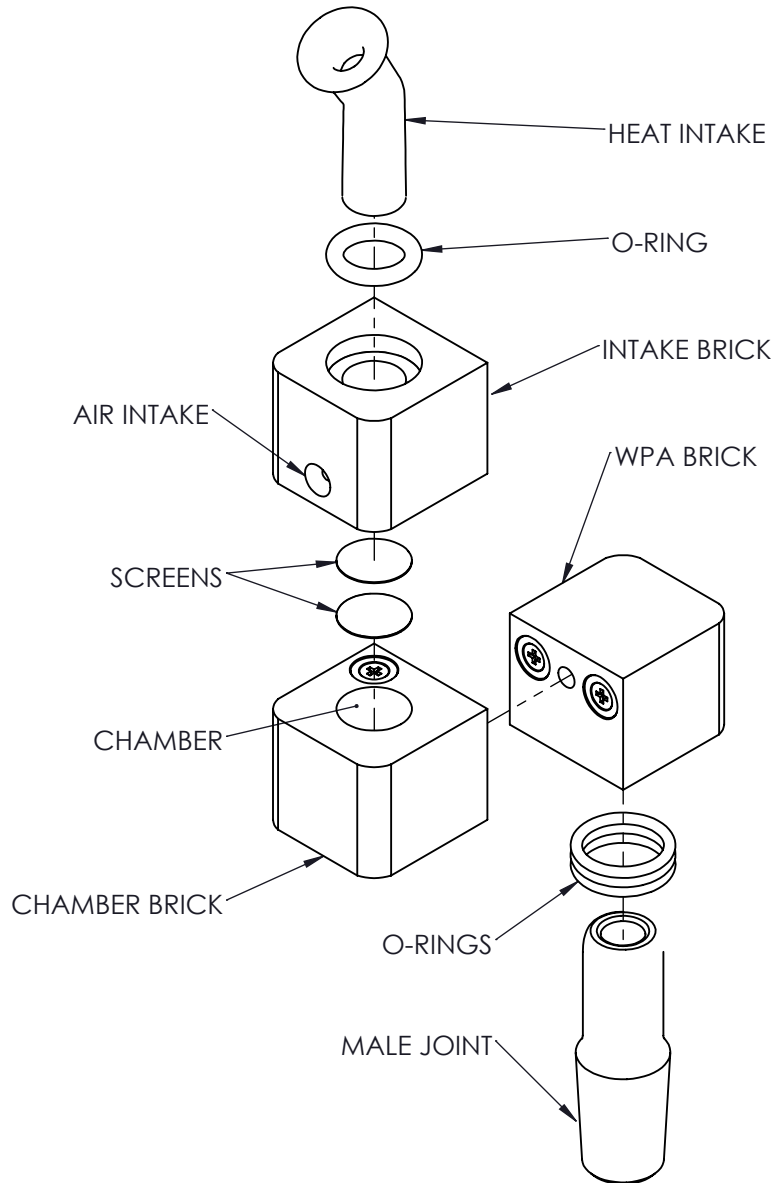


STICKY BRICK FLIP BRICK USER GUIDE





STICKY BRICK FLIP BRICK



LOAD

Pivot the intake brick to expose chamber (A). Load ground material loosely into chamber so it evenly covers the screen. Pivot the intake brick back into place to cover chamber. Heat intake can be angled left or right for comfort.

PREPARE

- Equip your Flip Brick with 14.4mm or 18.8mm joint to match your waterpipe. Insert o-rings into the wood before the glass for best seal.
- Flip WPA brick (B) and then slide it over to align magnets (C).
- Insert Flip Brick's male joint into waterpipe's female joint.
- A low flame is recommended when first using the Flip Brick. Adjust torch so overall flame length is 3/4" or less.

OPERATE

- Aim torch flame so it is angled (D) rather than straight down heat intake (E), and position flame so the light blue outer flame is flush with, or just inside, the intake.
- Draw slowly until you see/taste/feel vapor. Increase draw speed.
- As you finish the draw, remove torch.
- Stir material between draws as needed.
- Do not cover air intake on the side of the unit as it provides needed, continuous airflow. Glass retains heat, so do not touch heat intake immediately after use.

OPTIONS

- The Flip Brick includes 14.4mm and 18.8mm male joints for compatibility with most of your favorite glass.

